
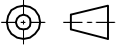


SOURCE DRAWING - FOR REFERENCE ONLY

RELATED DOCUMENTS		3RD ANGLE PROJECTION		THIS DRAWING IS CONFIDENTIAL AND THE PROPERTY OF TURCK INC. USE OF THIS DOCUMENT WITHOUT WRITTEN PERMISSION IS PROHIBITED.		 3000 CAMPUS DRIVE MINNEAPOLIS, MN 55441 1-800-544-7769 (763) 553-7300 (763) 553-0708 fax www.turck.us	
1.				DRFT RDS		DATE 10/15/07	
2.				DSGN AF		SCALE 1=1.3	
3.		ALL DIMENSIONS DISPLAYED ON THIS DRAWING ARE FOR REFERENCE ONLY		UNIT OF MEASUREMENT			
4.				MILLIMETER [ INCH ]			
MATERIAL		CONTACT TURCK FOR MORE INFORMATION		DESCRIPTION		QM-30L-T	
FINISH				IDENTIFICATION NO.		REV	
				A2544		A	
A DRAWING RELEASE		RDS 10/16/07		DO NOT SCALE THIS DRAWING		FILE: A2544	
REV DESCRIPTION		BY DATE ECO NO.				SHEET 1 OF 1	

A	DRAWING RELEASE	RDS	10/16/07	
REV	DESCRIPTION	BY	DATE	ECO NO.